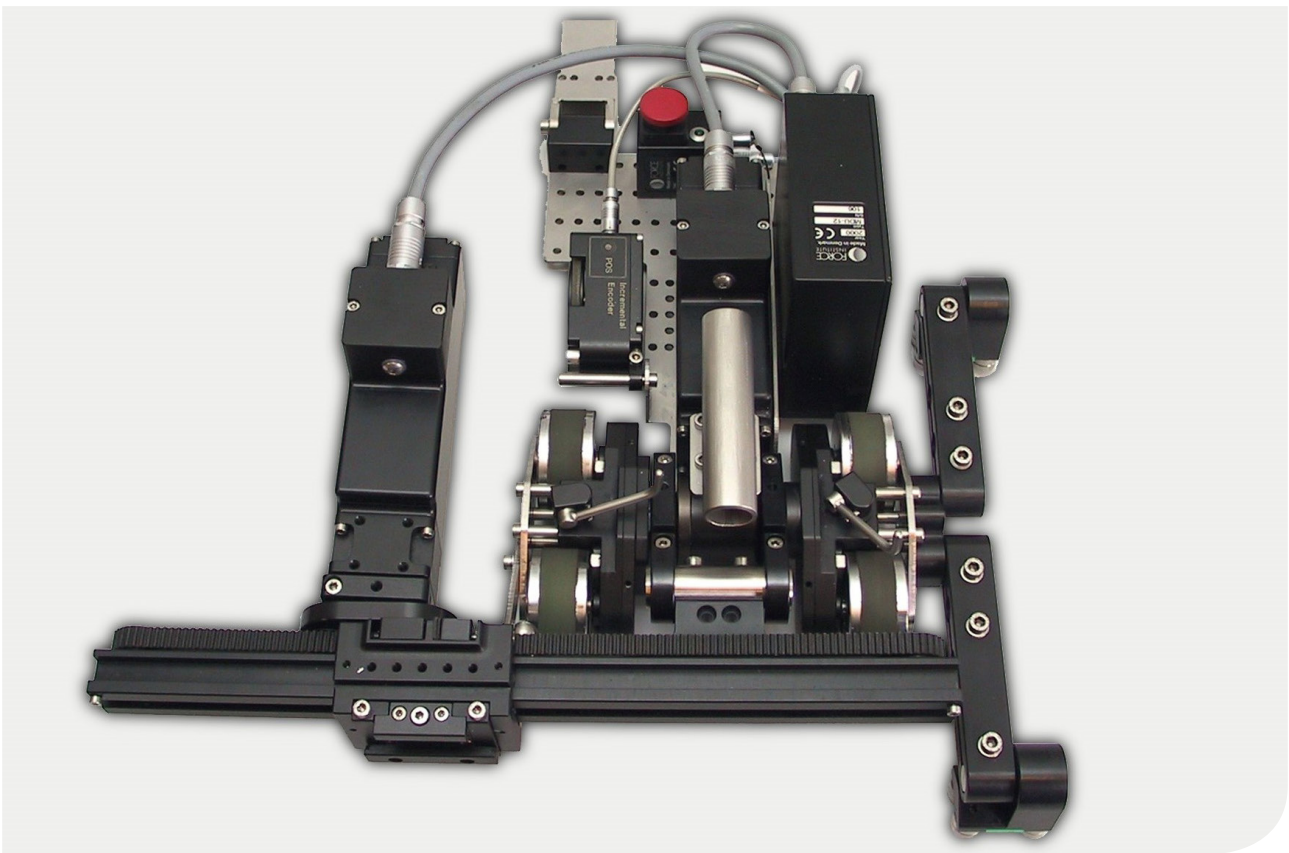


# AGS-1 - Automatic General Purpose Scanner

– Stable and robust scanner for pipe inspection



## Features

The AGS-1 is a general purpose magnetic wheel XY scanner primarily designed pipe inspection. The main features of the scanner are:

- use of standard modular scanner components
- high X and Y speed operation
- flexible - can be used on many surface geometries
- stability
- possibility to modify/upgrade scanner for inspection of special geometries.

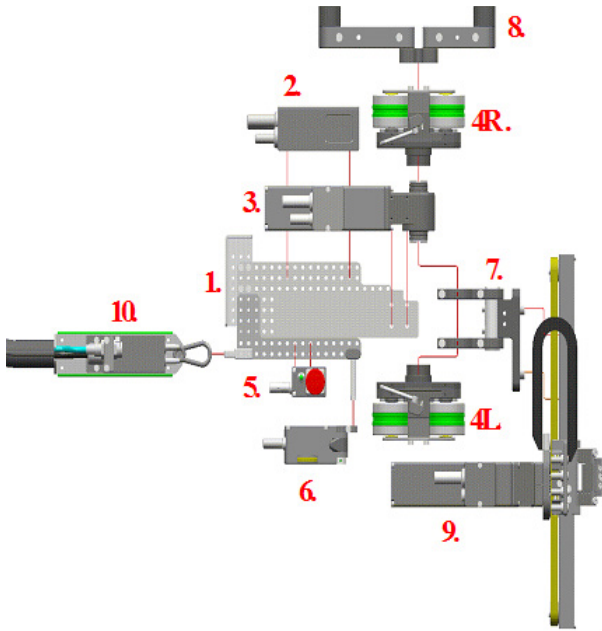
## Applications

The AGS-1 is ideal for areas where a robust and stable scanner is required for inspection with high speed, large strokes, several probes etc, for example in:

- key point corrosion mapping on offshore and petro-chemical installations
- inspection of components in nuclear installations
- production control of special components
- weld inspection and corrosion mapping of pipes down to OD 70 mm
- TOFD defect sizing.

## Mechanical Design

The AGS-1 is designed with use of modular components that makes it possible to configure the scanner according to the actual requirements.



AGS-1 exploded view.

The exploded view of the AGS-1 shows the main modular components.

1. AGS-1 Platform
2. Master module MST-3
3. X-motor with angle gear
4. Right and left-hand magnetic wheel set
5. Emergency stop, ESR-1
6. Free wheel X encoder, ENC-2
7. AGS-1 X motor/wheel and Y module main beam
8. Chain guide
9. Y-module with motor, gear, rail and slide
10. Main cable relief bracket.



AGS-1 in low height configuration.

## Technical Specifications for AGS-1

### Velocities

X direction:	0 - 70 mm/s
Y direction:	0 - 200 mm/s

### Object Dimensions

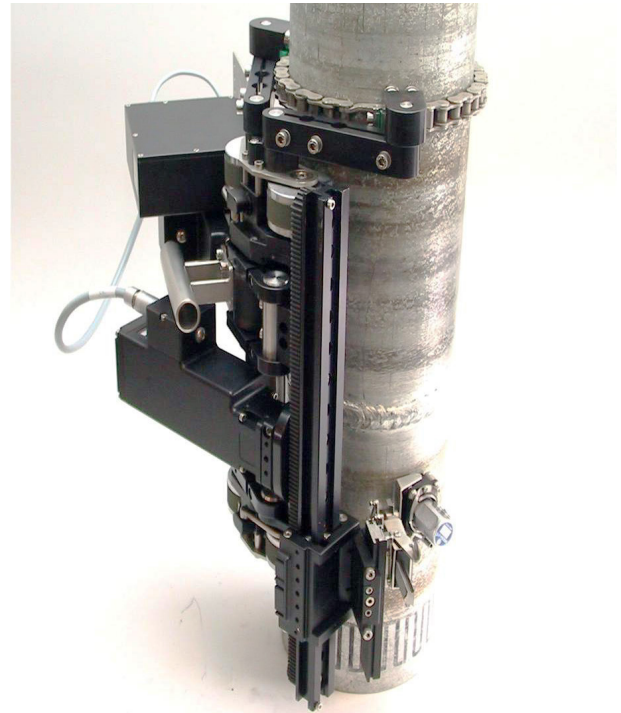
Min. OD (Circumferential drive):	75 mm
Maximum dimensions:	Plane surface

### Physical Specifications

Width x length x height:	372 x 384 x 110 mm
Weight:	8.2 kg

### Options

- Y-modules with different length
- Sleeves for non-ferritic steel
- Suction pad track
- Wheels for hot surfaces
- Conversion kit to AGS-2.



AGS-1 mounted on OD 109 mm pipe.

## Further information

E-mail: [sales@p-scan.com](mailto:sales@p-scan.com)