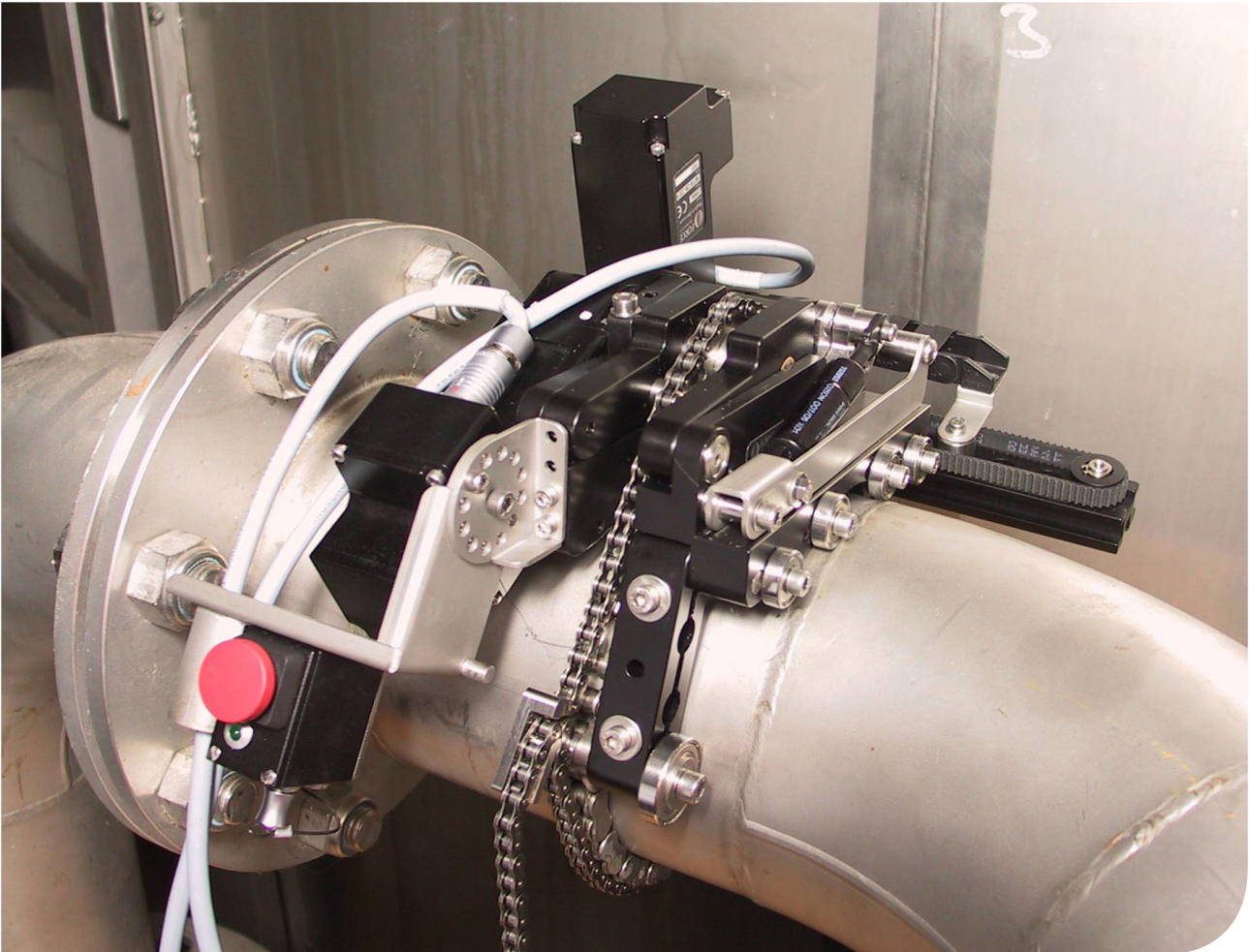


APS-6 - Automatic Pipe Scanner

– In-service inspection of pipes and components



The APS-6 is a chain-guided wheel XY scanner primarily designed for inspection of non-ferromagnetic pipes.

Application

The scanner is ideally suited for areas where a robust and stable scanner is required for inspection with high speed, large strokes and several probes. Typical applications are:

- inspection of pipes down to OD 100 mm
- in-service inspection of components where a chain guide for scanner movement can be mounted.

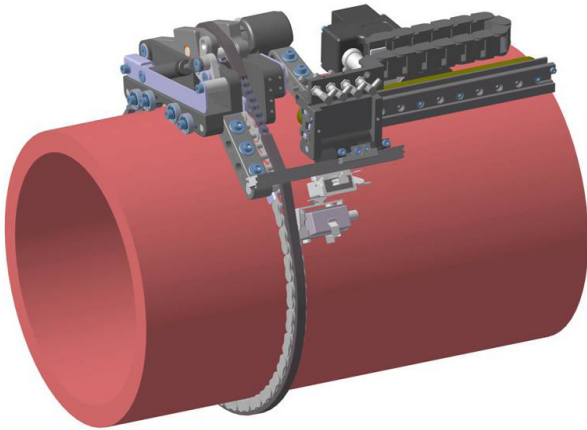
Features

The APS-6 is designed with special attention to:

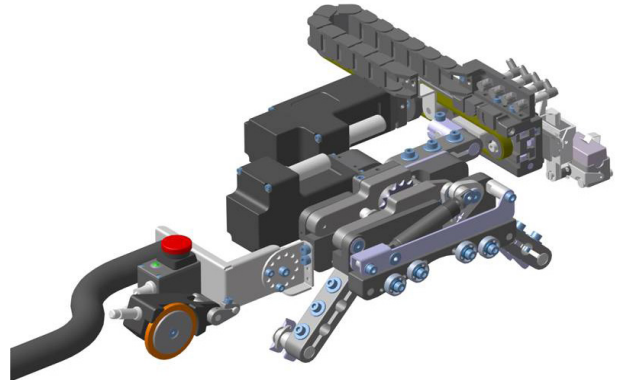
- use of standard modular scanner components
- low profile dimensions
- performance
- geometrical flexibility
- stability.

Design of the APS-6 pipe scanner

The APS-6 scanner is assembled from modular scanner components mounted on a scanner X-body with chain transmission. The scanner has a standard Y-module and spring loaded probe holders. The position of the chain guide wheels can be adjusted to fit the pipe diameter. The scanner has a free wheel X-direction encoder.



APS-6 mounted on pipe.

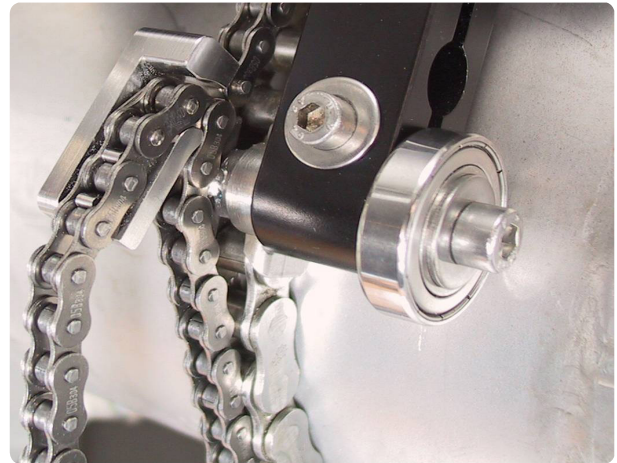


APS-6 overview.

Chain system

The scanner uses a guide chain and a transmission chain to ensure stable movement and attachment of the scanner to the pipe.

The guide chain, FORCE Type ½" BS, guides the scanner in the X-direction. The transmission chain is assembled by a device called "Chain lock" and afterwards tightened by activation of the scanner's tension system for the transmission chain. In order to avoid sliding of the transmission chain on the guide chain two side stops can be mounted on the guide chain.



Transmission chain and guide chain.

Technical Specifications for APS-6

Pipe dimensions	Minimum OD: 100 mm Maximum OD: 1100 mm	Stroke	Y-stroke: 0 – 280 mm with standard 350 mm rail
X and Y motors	FORCE Technology modular motors Type MTR-25	Velocities	X-direction: 0 – 40 mm/sec. Y-direction: 0 – 150 m/sec.
Motor control	Scanner interface to P-scan ultra- sound data acquisition system through a motor driver unit (MDU)	Dimension	Minimum profile height: 100 mm (without cable chain on Y-module)
Y-module	Standard modular Y-module with 350 mm rail and timing belt drive slide with integrated tilt adapter.	Weight	With 350 mm Y-rail: 5 kg.

Further information

E-mail: sales@p-scan.com